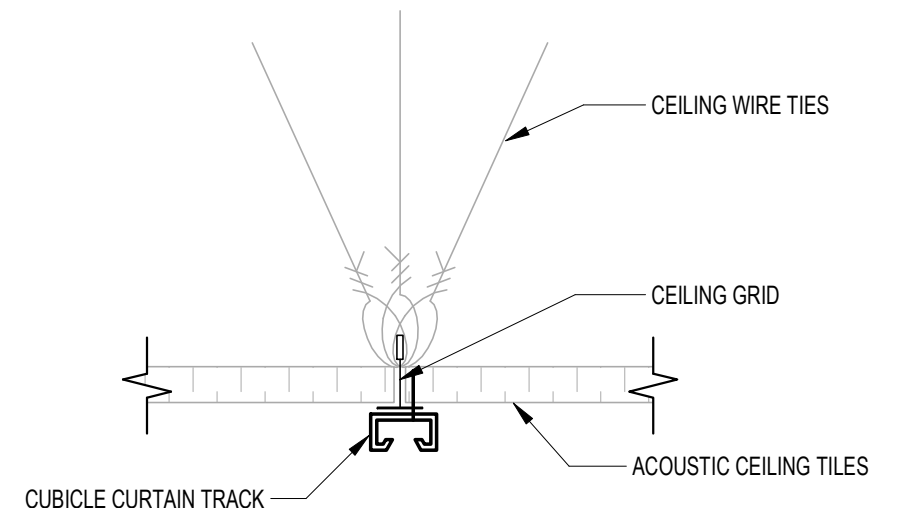


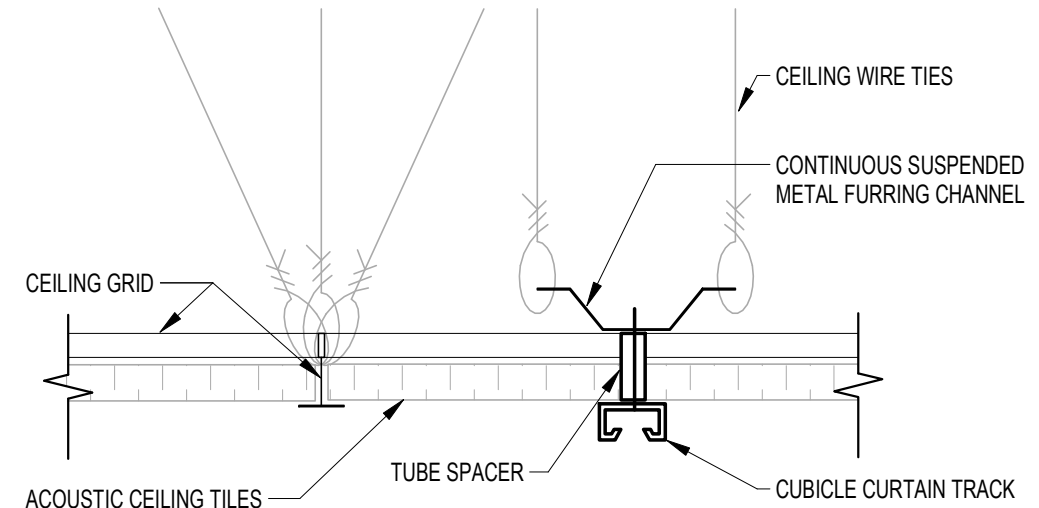
THIS DRAWING IS THE PROPERTY OF TECTON ARCHITECTS P.C. UNAUTHORIZED USE OF ANY KIND, INCLUDING USE ON OTHER PROJECTS, IS PROHIBITED.

6/6/2018 3:48:16 PM C:\Users\joshua\Documents\359m_R18_central_joshua.rvt

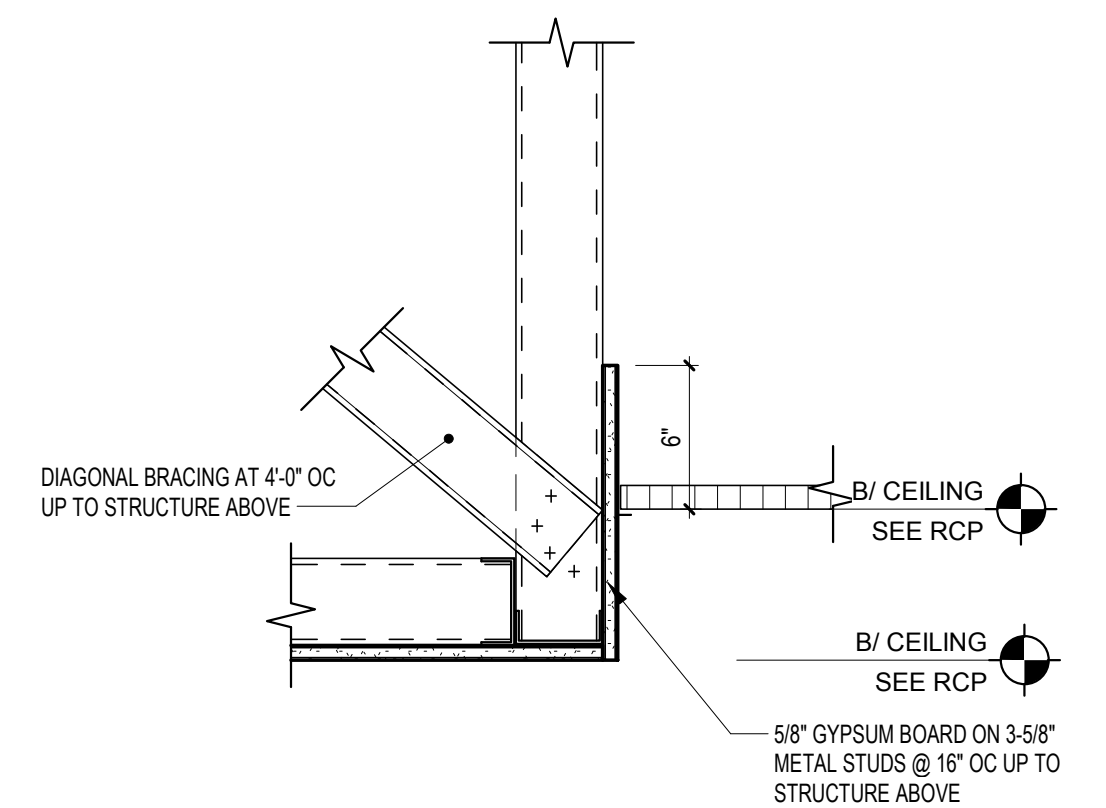
10 9 8 7 6 5 4 3 2 1
A B C D E F G H



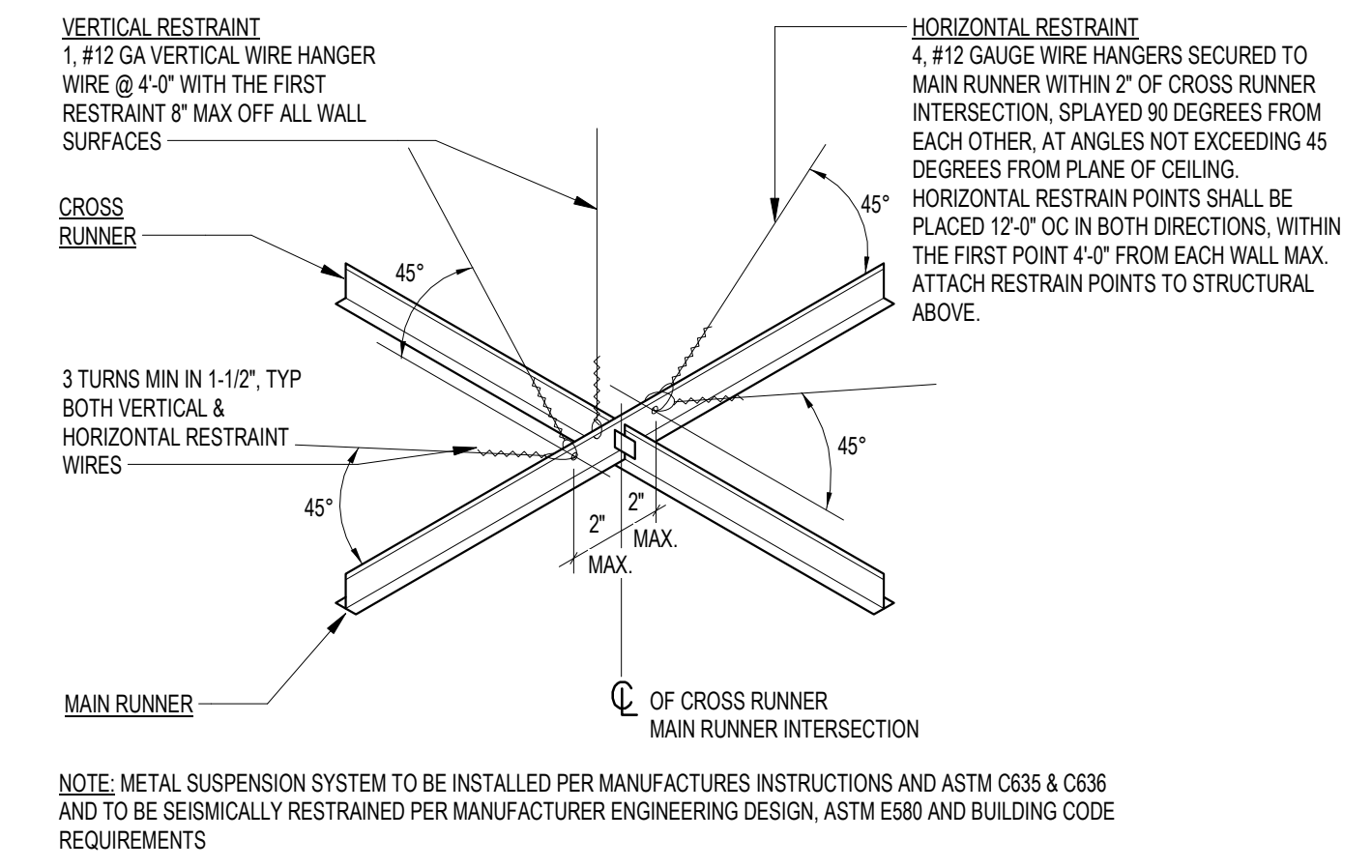
B8 CUBICLE TRACK SUPPORT AT GRID
3" = 1'-0"



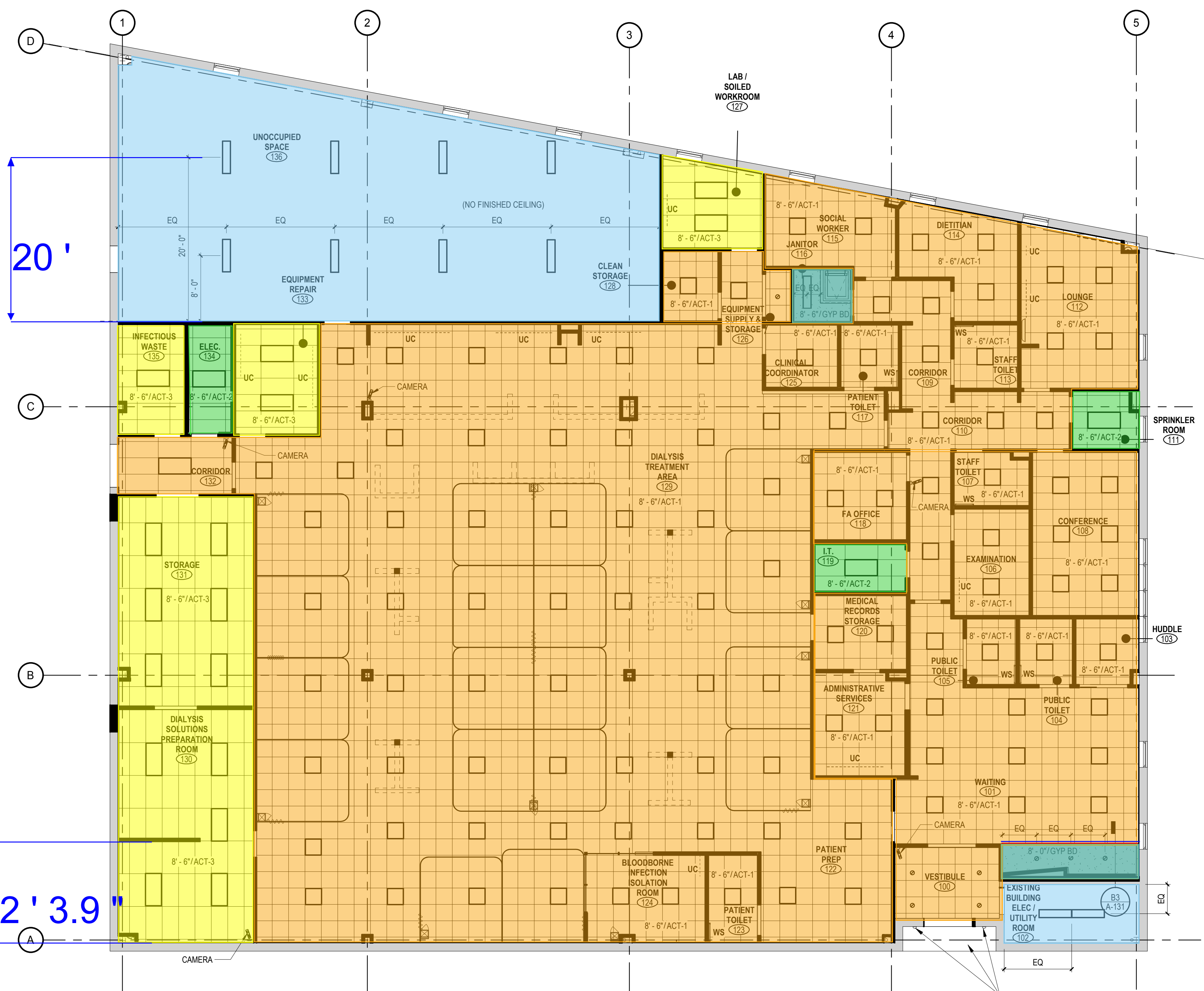
B5 CUBICLE TRACK SUPPORT OFF GRID
3" = 1'-0"



B3 GYP. BD. SOFFIT DETAIL
1 1/2" = 1'-0"



D3 SEISMIC RESTRAINT DETAIL
1 1/2" = 1'-0"



CEILING LEGEND	
	2x2 ACOUSTICAL CEILING TILE SYSTEM
	2x4 ACOUSTICAL CEILING TILE SYSTEM
	GYPSUM BOARD CEILING/SOFFIT
	2x4 LAY-IN FIXTURE
	2x2 LAY-IN FIXTURE
	1x4 LAY-IN FIXTURE
	PRIVACY CURTAINS & TRACKS
	1x4 SUSPENDED FIXTURE
	1x8 SUSPENDED FIXTURE
	4'-0" LED STRIP FIXTURE
	LED RECESSED DOWNLIGHT
	LED RECESSED DOWNLIGHT - WET LOCATION
	CEILING MOUNTED PROJECTOR
	CEILING TAG

Project Status

CLIENT

DaVita
DaVita Healthcare Partners, Inc. 2000 16th Street Denver, CO 80202

ARCHITECT

Tecton Architects
Tecton Architects 1 pc Hartford CT, Westery RI 860 548 0802 www.tectonarchitects.com

CONSULTANT

ISSUED	DATE	DESCRIPTION
	05/25/2018	ISSUED FOR BID

OWNER

CALLLED NORTH

	Ceiling - 5/8" Gyp Soffit	8.48 sf
	Ceiling - ACT-1 2'x2'	8,436.51 sf
	Ceiling - ACT-2 2'x4'	188.51 sf
	Ceiling - ACT-3 2'x4'	1,271.47 sf
	Ceiling - Gypsum Board	116.90 sf
	Ceiling - No Finish	1,862.07 sf
	Painting - Gyp Ceiling Eggshell P-1	116.73 sf
	Painting - Gyp Soffit Eggshell P-2	8.36 sf

H10 FIRST FLOOR
1/8" = 1'-0"

H4 SECTION
1/2" = 1'-0"